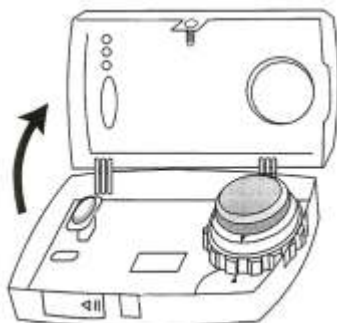


AURATON 30 WAS DESIGNED TO CONTROL TEMPERATURE OF HEATING SYSTEM. THERMOSTAT IS POWERED BY 2 AAA BATTERIES. THE DEVICE INCORPORATES HEAT/OFF FUNCTION SELECTION. AURATON 30 ALSO INCLUDES FEATURE OF SET-BACK TEMPERATURE FOR ENERGY SAVING PURPOSE.

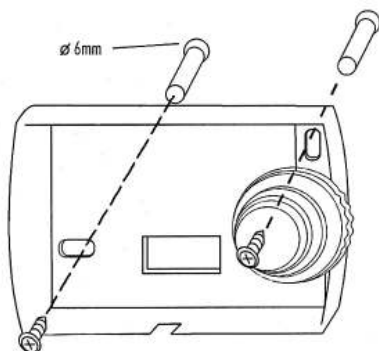
THE THERMOSTAT IS INTENDED FOR INDOOR USE. TYPICAL APPLICATIONS OF AURATON 30 ARE TO USE IN RESIDENTIAL QUARTERS, OFFICES, SCHOOLS, WORKSHOPS AND RETAIL OUTLETS, ETC.

INSTALLATION INSTRUCTIONS:

1. SELECT A SUITABLE LOCATION FOR THERMOSTAT: IT SHOULD BE WHERE FREE AIR CAN BE REACHED AND FAR AWAY FROM HEAT SOURCES, E.G. TV SET, FURNACE OR DIRECT SUN LIGHT, ETC. IT IS RECOMMEND THAT THE THERMOSTAT SHOULD BE MOUNTED ABOUT 1,5M ABOVE FLOOR.
NOTE: NEVER MOUNT THE THERMOSTAT ON A CONDUCTING SURFACE.
2. OPEN THE FRONT COVER OF THE THERMOSTAT BY REMOVING THE SCREW AT THE BOTTOM OF THE THERMOSTAT.



3. THERE ARE TWO MOUNTING HOLES LOCATED AT THE BACK HOUSING. MARK THEIR LOCATIONS ON THE WALL WHERE THE THERMOSTAT WILL BE INSTALLED. DRILL TWO 6MM HOLES, INSERT THE WALL ANCHORS PROVIDED AND THEN MOUNT THE THERMOSTAT ON THE WALL USING THE TWO MOUNTING SCREWS.
NOTE: IT DOES NOT NEED THE WALL ANCHORS IF THE THERMOSTAT IS MOUNTED ON A WOODEN WALL. IN THIS CASE DRILL TWO 2,6MM HOLES INSTEAD OF 6MM.

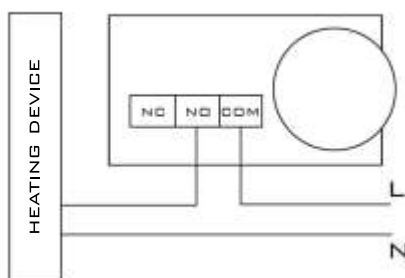


4. WIRING: THE THERMOSTAT IS DESIGNED TO 7A MAXIMUM. NEVER EXCEED THE LIMIT OR IT WILL DAMAGE THE THERMOSTAT OR CAUSE FIRE.

THE THREE TERMINALS OF THE THERMOSTAT ARE LABELED:

- NC - NORMAL CLOSED
- NO - NORMAL OPEN
- COM - COMMON

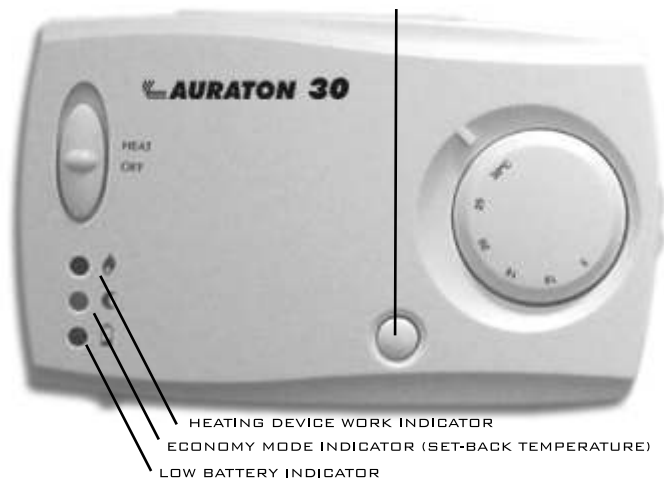
IN MOST CASES NC TERMINAL IS NOT USED. IDENTIFY THE WIRES AND CONNECT THEM TO THE THERMOSTAT ACCORDINGLY.



5. INSTALL BATTERIES ACCORDING TO MARKINGS. THE HEATING INDICATOR (RED LED) WILL FLASH ONCE WHICH INDICATES SUCCESSFUL INSTALLATION. AFTER FEW SECONDS THERMOSTAT WILL OPERATE IN NORMAL WORK MODE - RED LED WILL FLASH INDICATING WORK OF HEATING DEVICE. WORK INDICATOR WILL NOT FLASH IF ROOM TEMPERATURE IS HIGHER THEN SET ON THE THERMOSTAT.

NOTE: IF THE LED FAILS TO FLASH, PUT OUT THE BATTERIES FOR 30 SECONDS AND THEN PUT THEM BACK ACCORDING TO MARKINGS.

AUROMATIC SET-BACK
TEMPERATURE BUTTON



OPERATING INSTRUCTIONS:

1. TO TURN THE THERMOSTAT CONTROL, SET THE SLIDE SWITCH TO HEAT. THIS WILL ENABLE THE ROOM TEMPERATURE CONTROL.
2. TO TURN OFF THE THERMOSTAT CONTROL, SET THE SLIDE SWITCH TO OFF. THIS WILL TURN OFF THE ROOM TEMPERATURE CONTROL.
3. ROOM TEMPERATURE IS ADJUSTED BY SETTING THE TEMPERATURE SETTING DIAL.
4. WHEN THE HEATING SYSTEM IS TURNED ON, THE HEATING INDICATOR WILL FLASH.
5. **NOTE:** AURATON 30 HAS A BUILT-IN SWITCHING TIME DELAY THAT PREVENTS THERMOSTAT TO INSTANT SWITCHING ON OR OFF HEATING DEVICE CAUSED BY E.G OPENED WINDOW. THAT IS WHY THERMOSTAT MAY NOT RESPONSE INSTANTLY WHEN THE TEMPERATURE SETTING IS CHANGED.

AUTOMATIC SET-BACK TEMPERATURE (ECONOMY MODE)

SET-BACK TEMPERATURE IS AN ENERGY SAVING FEATURE. IT LOWERS THE ROOM TEMPERATURE AT NIGHT (TO SAVE ENERGY) AND RETURNS TO NORMAL SETTING IN THE DAYTIME (FOR COMFORT).

THE SET-BACK TEMPERATURE OF AURATON 30 IS 3 DEGREES LOWER THAN THE CURRENT DIAL SETTING. I.E., IF THE DIAL IS SET AT 22°C, THEN THE SET-BACK TEMPERATURE IS 19°C.

THE SET-BACK PERIOD OF AURATON 30 IS 6 HOURS. I.E., IF THE THERMOSTAT CHANGES TO SET-BACK TEMPERATURE AT 23:00, THEN IT WILL RETURN TO NORMAL SETTING AT 5:00.

THE SET-BACK - NORMAL TEMPERATURE CYCLING WILL REPEAT EVERY-DAY UNTIL IT IS DISABLED.

OPERATION

1. PRESS THE SET-BACK BUTTON TO CHANGE TO SET-BACK TEMPERATURE. THE SET-BACK INDICATOR - YELLOW LED WILL BLINK EVERY 15 SECONDS.
2. SIX HOURS LATER AFTER CHANGING TO SET-BACK TEMPERATURE, IT WILL RETURN TO NORMAL TEMPERATURE. THE SET-BACK INDICATOR WILL CHANGE TO GREEN.
3. AT THE SAME TIME NEXT DAY, THE THERMOSTAT WILL RETURN TO SET-BACK TEMPERATURE AGAIN.
4. TO DISABLE SET-BACK TEMPERATURE, PRESS SET-BACK BUTTON AGAIN. THE SET-BACK INDICATOR WILL TURN OFF.

LOW BATTERY INDICATOR

IF LOW BATTERY INDICATOR WILL FLASH (RED LED) PLEASE REPLACE OLD BATTERIES WITH NEW (2XAAA).

TECHNICAL DATA

TYPE: 2XAAA
 TEMPERATURE CONTROL RANGE: 5°C - 30°C
 MAXIMUM SWITCHING CURRENT: 12A RESISTIVE, 5A INDUCTIVE
 OPERATING TEMPERATURE: 0°C - 40°C
 STORAGE TEMPERATURE: -20°C - 65°C
 SET-BACK TEMPERATURE: 3°C
 SET-BACK PERIOD: 6 HOURS, REPEATED DAILY
 CONTROL SWITCH: MCU CONTROLLED RELAY SWITCH

LARS

UL. CZŁUCHOWSKA 12
 60 - 434 POZNAŃ

TEL. (061) 840 40 40, FAX (061) 8404050

WWW.AURATON.PL